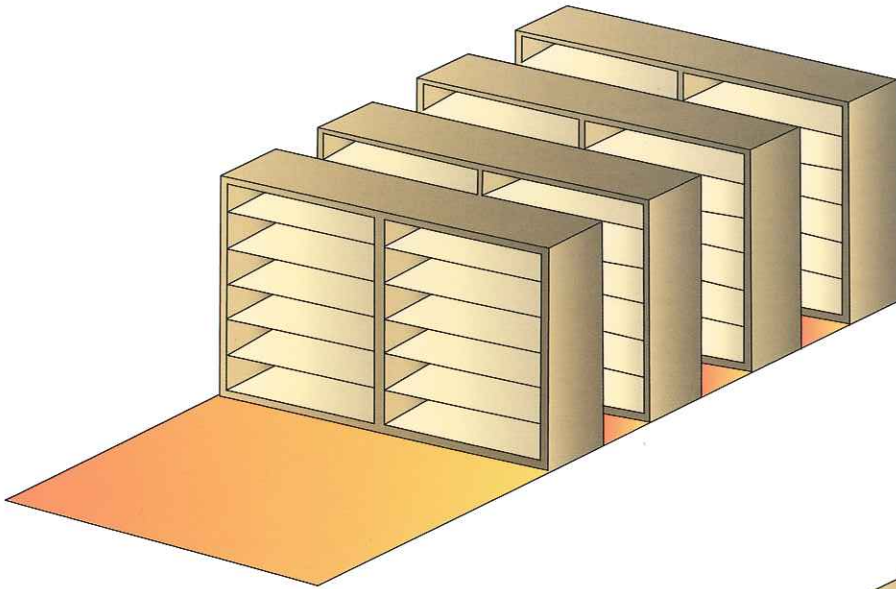
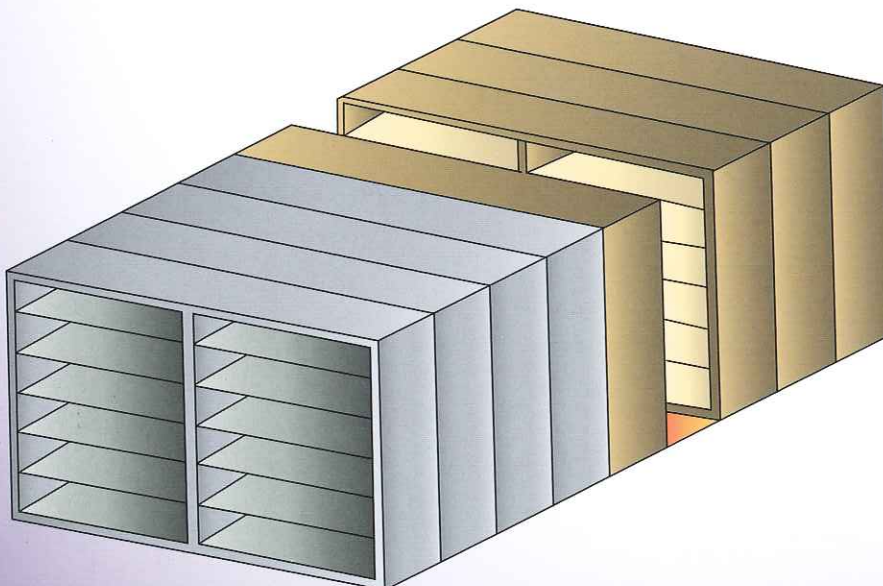
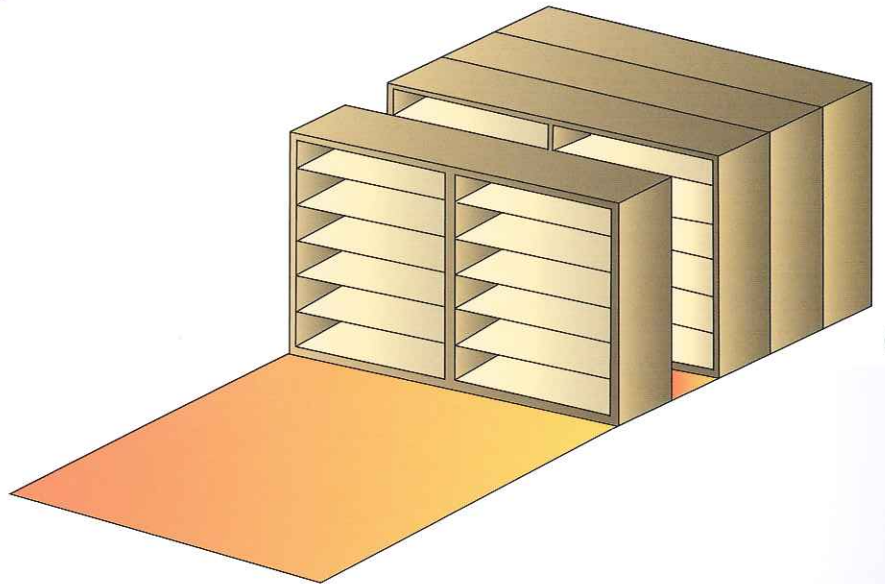


HI-DENSITY Spacesaving Systems Plan



Conventional Layout
typical arrangement of stationary storage units with non-productive aisles between units.

HI-DENSITY Layout
With the elimination of non-productive aisles between fixed ranges, the HI-DENSITY concept compacts the materials stored and increases usable space by 50 percent.



HI-DENSITY Plan
a doubling of storage capacity available within the original floor space.